



INSTALLATION INSTRUCTIONS

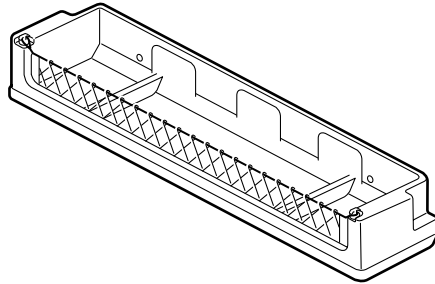
Accessory
REAR UNDER SEAT STORAGE
 P/N 08U43-SJC-100

Application
RIDGELINE

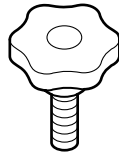
Publications No.
All 28619
 Issue Date
FEB 2005

PARTS LIST

Rear under seat storage
 (The ends of the net are not attached.)



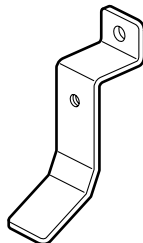
2 Knob bolts



2 Bolts



2 Brackets



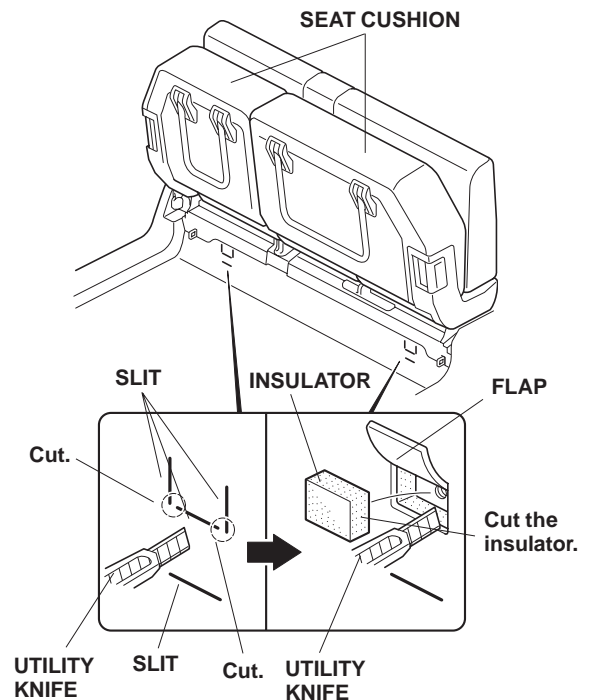
TOOLS AND SUPPLIES REQUIRED

Ratchet
 10 mm Socket
 Utility knife

INSTALLATION

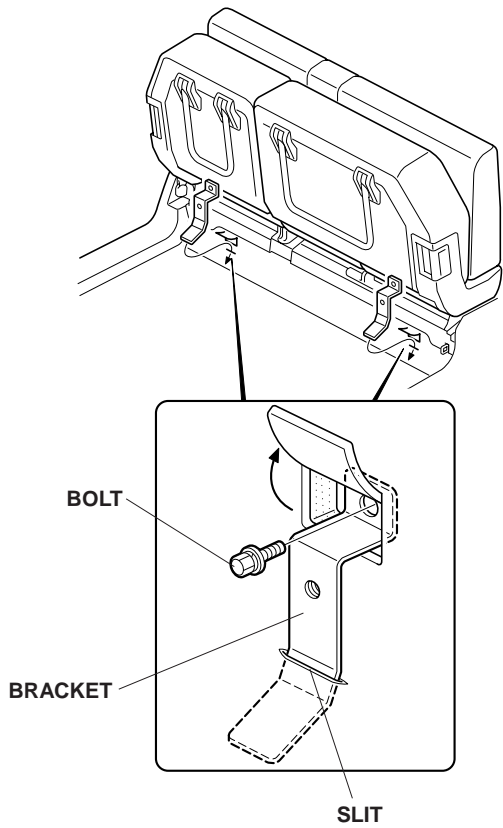
Customer Information: The information in this installation instruction is intended for use only by skilled technicians who have the proper tools, equipment, and training to correctly and safely add equipment to your vehicle. These procedures should not be attempted by "do-it-yourselfers."

1. Raise the rear seat cushions.
2. On each side, locate the three slits in the floor carpet. Using a utility knife, cut the carpet between the slits to create a flap.

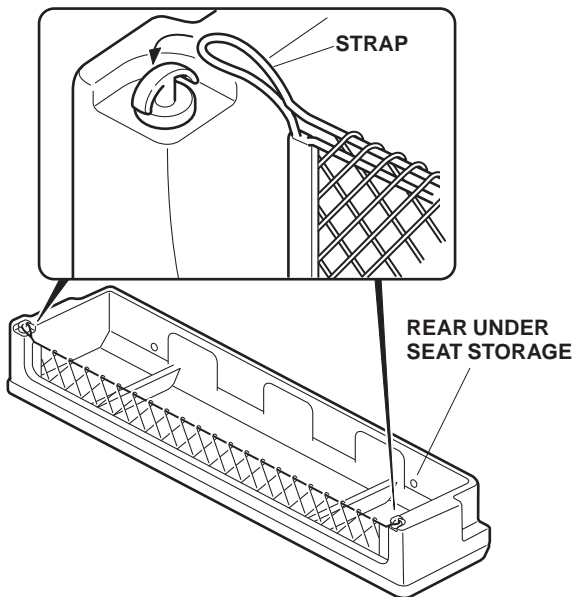


3. Lift the flap, and cut the insulator to locate the threaded hole.

4. Insert the brackets into the openings and install the bolts to secure the brackets.



5. Attach the right and left straps ends to the hooks on the rear under seat storage.



6. Position the rear under seat storage on the floor mat, and align the holes in the rear under seat storage with the holes in the brackets. Secure the seat storage with the two knob bolts.

