



INSTALLATION INSTRUCTIONS

Accessory

GOLD TYPE-S EMBLEM
P/N 08F20-S3M-200G

Application

Publications No.

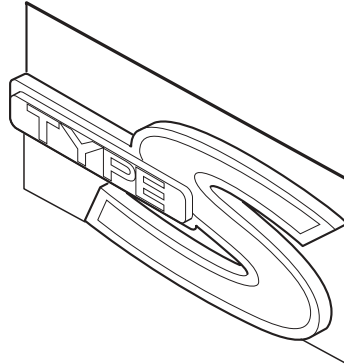
BII 26203

Issue Date

SEP 2003

PARTS LIST

Gold "TYPE-S" emblem



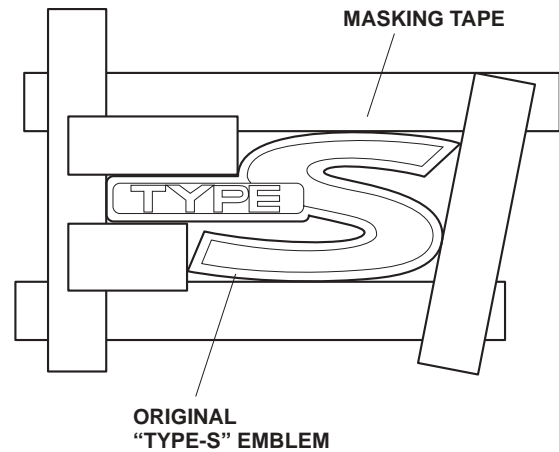
TOOLS AND SUPPLIES REQUIRED

Isopropyl alcohol
Shop towel
Masking tape
Piece of string

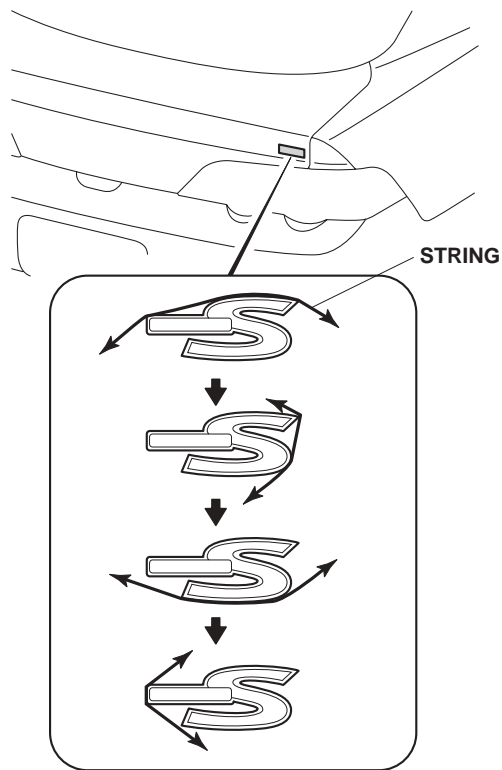
INSTALLATION

NOTE:

- Be careful not to damage the body finish when you remove and install the emblems.
 - This emblem kit should be installed only when the ambient air temperature is 60°F (15°C) or above.
 - To allow the adhesive to cure, do not wash the vehicle for 24 hours.
1. To prevent damage to the body finish, attach masking tape around the original "TYPE-S" emblem.

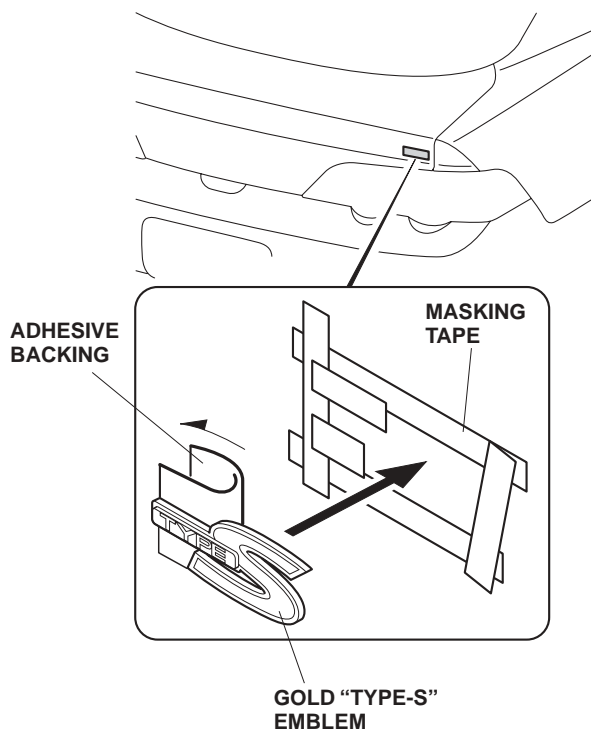


2. Remove the original "TYPE-S" emblem by cutting around the outer edges with a piece of string as shown.



3. Using isopropyl alcohol on a shop towel, clean the areas where the emblem was removed.

4. Remove the adhesive backings from the gold "TYPE-S" emblem, and attach it to the trunk lid. Press the emblem firmly against the trunk lid with the palm of your hand for 30 seconds.



5. Remove the masking tape from the trunk lid.

NOTE: After the emblem kit is installed, tell your customer not to wash the vehicle for 24 hours to give the adhesive time to cure.