



# INSTALLATION INSTRUCTIONS

Accessory

Application

Publications No.

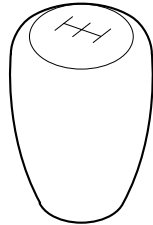
**BII 26209**

Issue Date

**SEP 2003****SHIFT KNOB**

## PARTS LIST

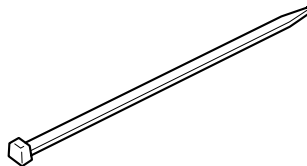
Shift knob



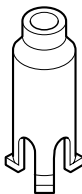
Flange nut



Wire tie



Collar



Ring



## TOOLS AND SUPPLIES REQUIRED

Phillips screwdriver

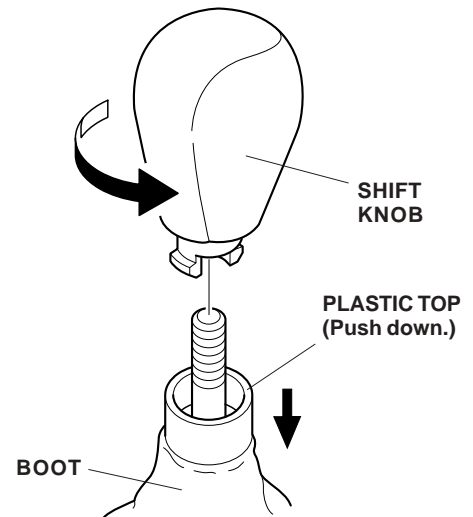
14 mm Combination wrench

Utility knife

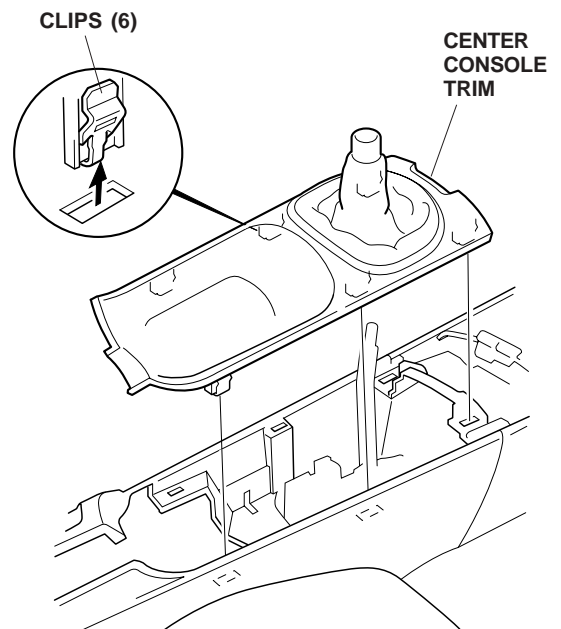
Diagonal cutters

## INSTALLATION

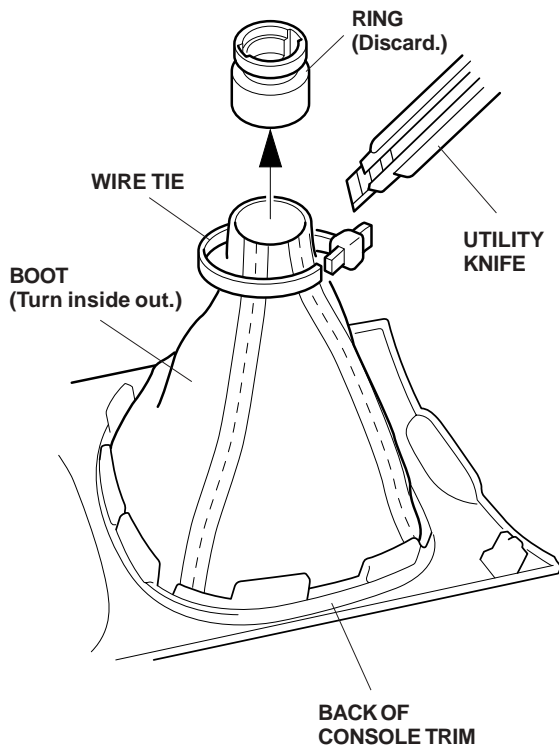
1. Push down the plastic top of the boot with both hands, and remove the shift knob by turning it counterclockwise.



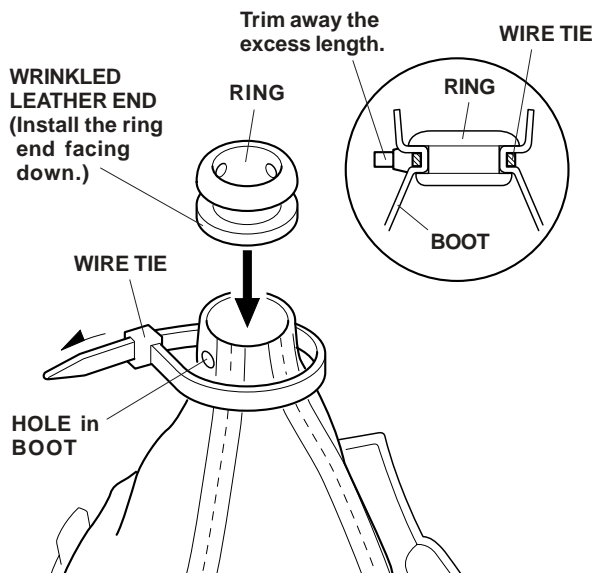
2. Pry up on the six clips and remove the center console trim. Take care not to damage the clips.



3. Push the boot so it is inside out.

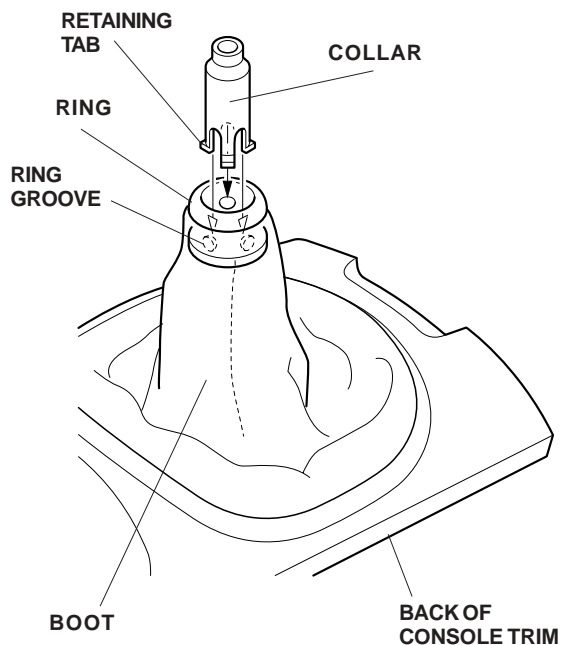


4. Using a utility knife, cut off the wire tie. Take care not to damage the boot when cutting the wire tie.
5. Insert the ring from the kit into the opening of the boot with the wrinkled leather end facing down.

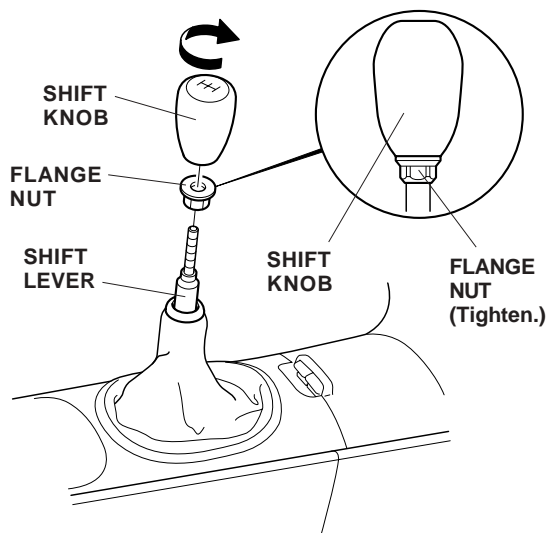


6. Secure the boot to the ring with the wire tie as shown.

7. Turn the boot so it is right side out.
8. Fit the retaining tabs on the collar into the grooves on the ring by squeezing them with your hand. Check that the retaining tabs on the collar are aligned in the ring grooves properly. To prevent damage to the retaining tabs, do not remove the collar once it is installed on the ring.



9. Reinstall the console trim.
10. Install the flange nut on the shift lever to the end of the threads. Note the direction of the flange nut.



11. Install the shift knob on the shift lever until it is tight, then place it in the correct location, and tighten the flange securely.