



INSTALLATION INSTRUCTIONS

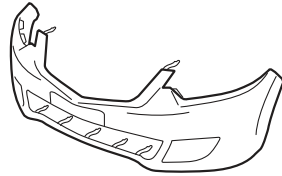
Accessory
FULL NOSE MASK

Application
TSX

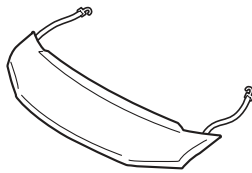
Publications No.
B11 41540
~~MAY 2009~~

PARTS LIST

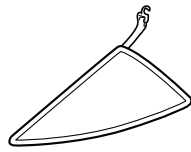
Bumper Mask



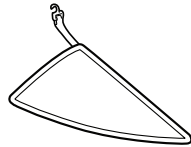
Hood Mask



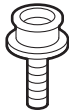
Left fender mask



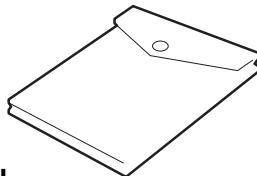
Right fender mask



2 Snap-screws



2 Storage bag



TOOLS AND SUPPLIES REQUIRED

Stubby Phillips screwdriver

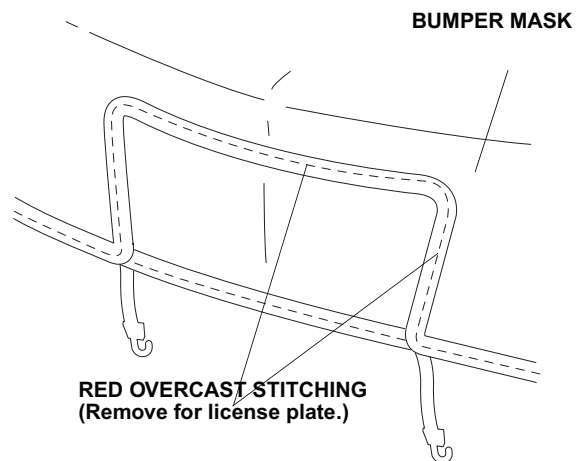
Scissors

INSTALLATION

Client Information: The information in this installation instruction is intended for use only by skilled technicians who have the proper tools, equipment, and training to correctly and safely add equipment to your vehicle. These procedures should not be attempted by “do-it-yourselfers.”

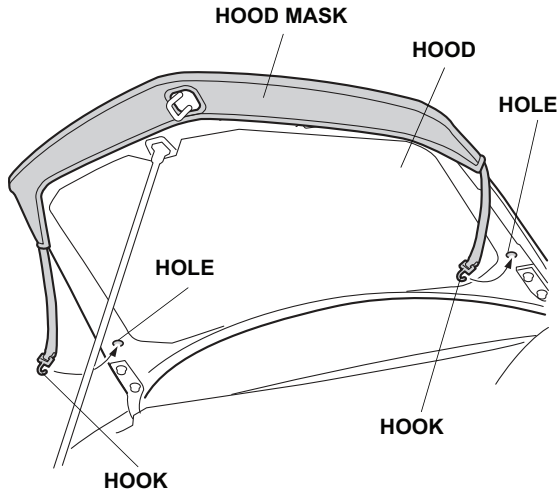
NOTE:

- Make sure the vehicle and the nose mask are clean and completely dry before installation. If moisture under the mask is allowed to dry, it may cloud the paint. If the mask gets wet, remove it and allow it to air-dry completely.
 - Make sure any repainted surfaces are cured.
 - Make sure the hood and the nose of the vehicle have been waxed with high-quality paste wax.
 - Make sure you install the nose mask securely. If the nose mask starts to flap or come loose while driving, safely pull off the highway, stop the vehicle and secure or remove the mask.
1. If your state law requires the display of both license plates, cut out the piece of the bumper mask that covers the front license plate:
 - Face the inside of the mask toward you.
 - Carefully cut out the license plate section with scissors at the top seam, and remove the overcast stitching.



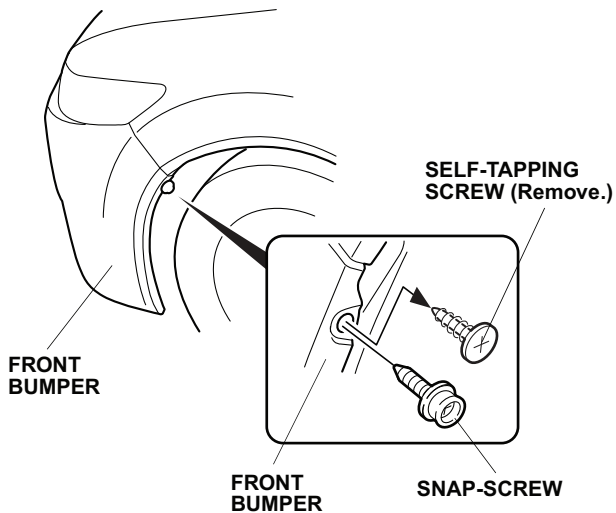
Installing the Hood Mask

2. Open the hood.
3. Fit the corners of the hood mask around the hood, and adjust the mask so that it fits smoothly over the edges.
4. Attach the two hooks to the position shown.



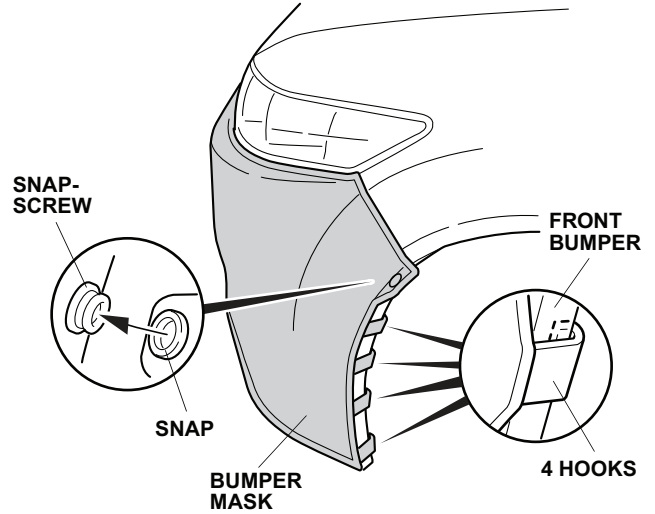
Installing the Hood Mask

5. Turn the steering wheel all the way clockwise.
6. Remove the self-tapping screws from the indicated position of the front bumper and install the snap-screw in its place.

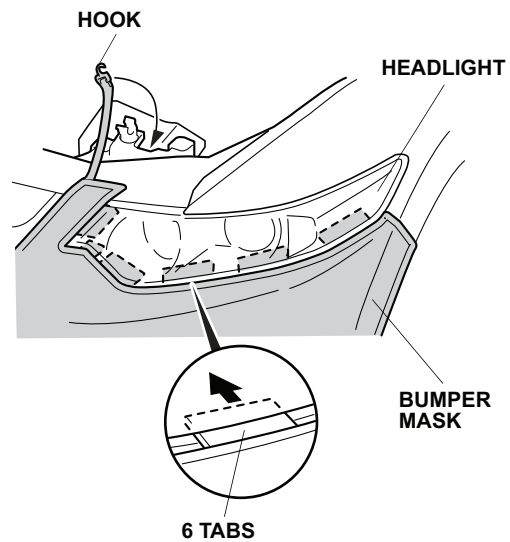


7. Repeat steps 5 and 6 to install the mask on the other side of the vehicle.

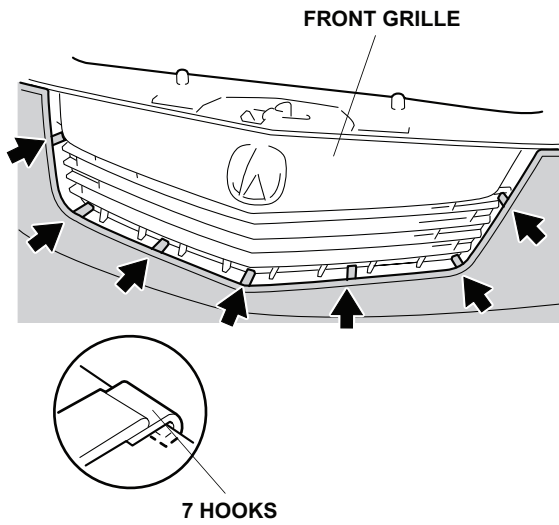
8. Install the four hooks on the front bumper and secure the snap to the snap-screw. Repeat on the other side.



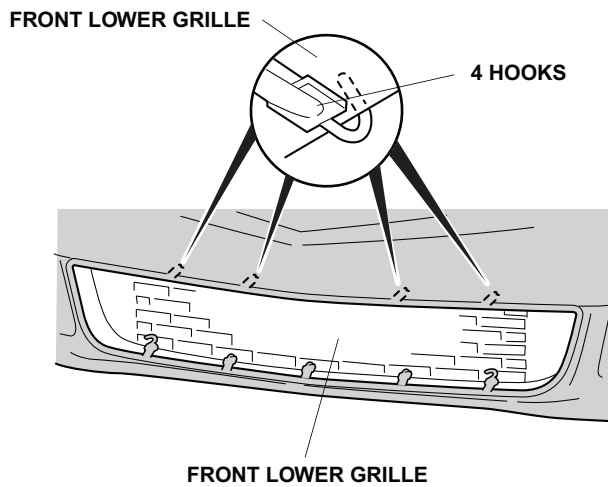
9. Insert the six tabs between the front bumper and the headlight and secure the hook at the indicated position. Repeat on the other side.



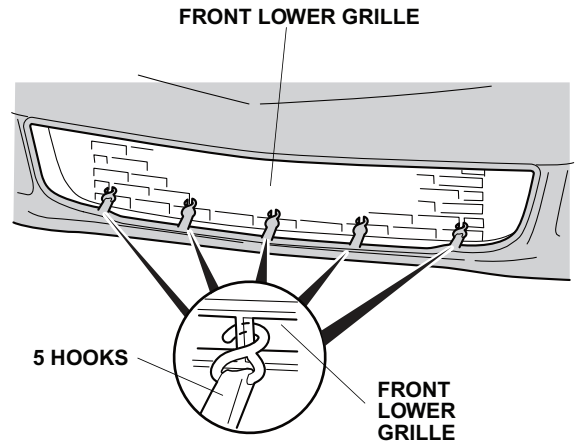
10. Secure the seven hooks at the indicated locations to the front grille.



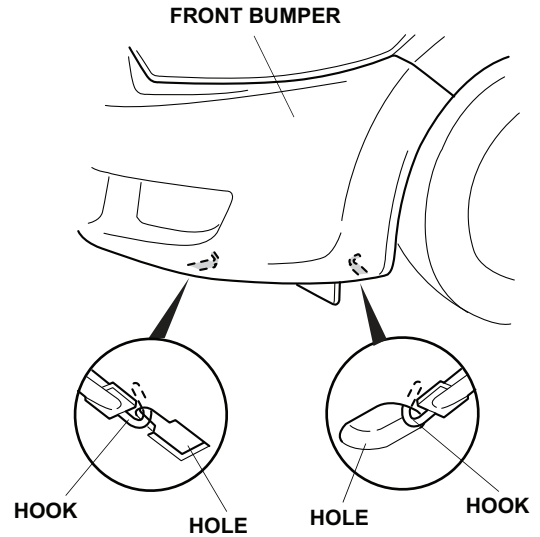
11. Secure the four hooks at the indicated locations to the front lower grille.



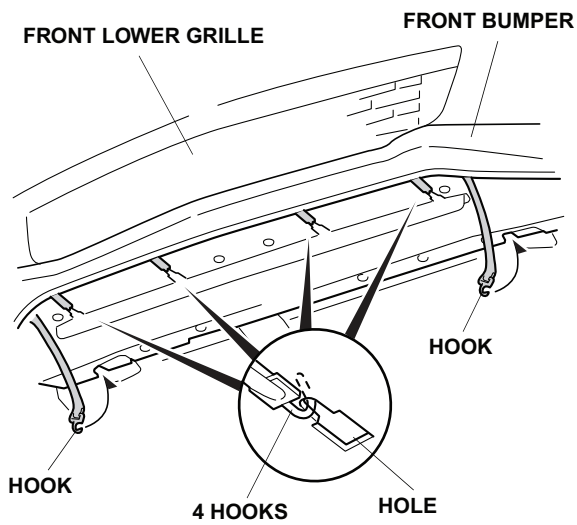
12. Secure the five hooks at the indicated locations to the front lower grille.



13. Secure the two hooks at the indicated locations to the front bumper. Repeat on the other side.



14. Secure the six hooks at the indicated locations to the front bumper.



CLEANING THE NOSE MASK

Use a sponge or a cloth and a solution of mild liquid dishwashing soap and water to clean the vinyl and the flannel backing. Rinse the mask completely with clean water, and hang it to dry, out of direct sunlight. Make sure the mask is completely dry before you reinstall it.

Installing the Fender Mask

15. Slip the pocket of the left fender mask onto the corners of the left front fender, and attach the hook to the hole in the fender. Insert the two tabs between the left front fender and the headlight. Repeat on the other side.

