



# INSTALLATION INSTRUCTIONS

Accessory  
TRUNK SPOILER

Application  
TSX

Publications No.  
BII 41553  
Issue Date  
MAY 2009

## PARTS LIST

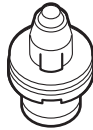
Trunk spoiler



Right trunk spring



4 Clips



## TOOLS AND SUPPLIES REQUIRED

Drill

3 mm and 6 mm Drill bits

8.5 mm drill bit (T/N DBM 8.5A)

Isopropyl alcohol

Shop towel

File

Touch-up paint

Masking tape

Eye protection (face shield, safety goggles, etc.)

Trunk spring tool (P/N 07AAF-SNAA100)

Metal hammer

Center punch

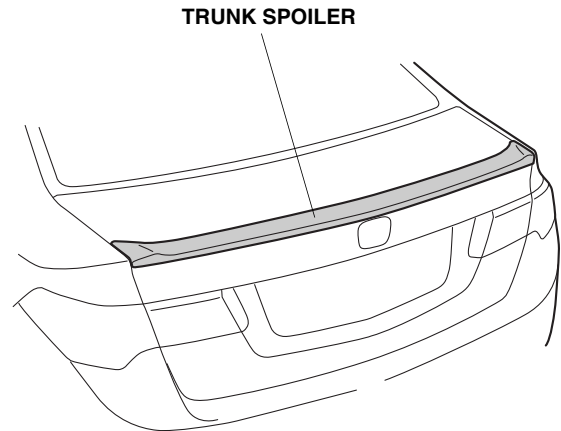
Spoiler Template Tool (T/N 07AAG-TL2A120)

Heavy gloves

Rubber roller (T/N MHLE54D)

Deburring tool (T/N DEBUR300)

## Illustration of the Trunk Spoiler Installed on the Vehicle



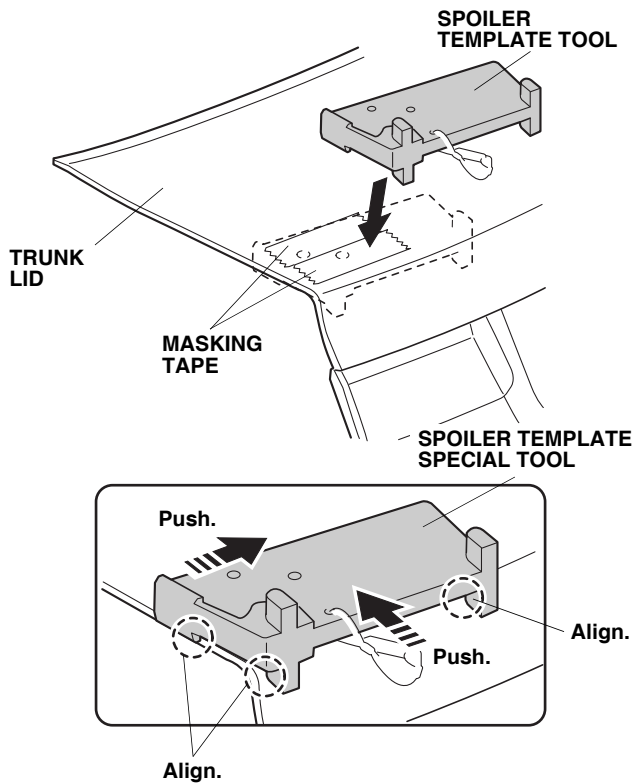
## INSTALLATION

**Client Information:** The information in this installation instruction is intended for use only by skilled technicians who have the proper tools, equipment, and training to correctly and safely add equipment to your vehicle. These procedures should not be attempted by “do-it-yourselfers.”

### NOTE:

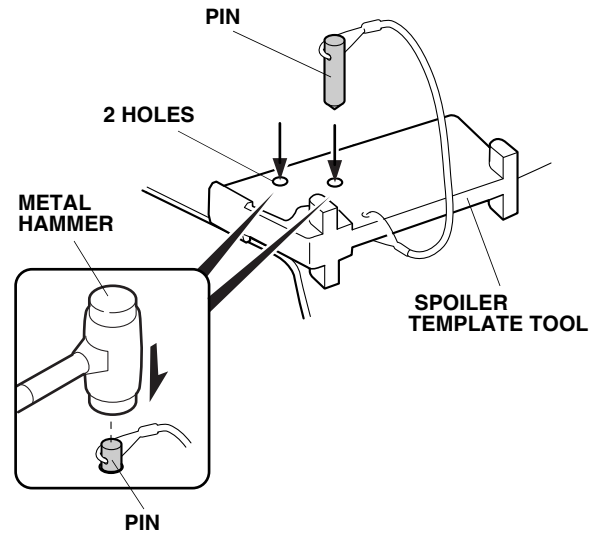
- Be careful not to damage the body paint finish.
- The trunk spoiler should be installed only when the ambient air temperature is 15°C (60°F) or above.
- To allow the adhesive to cure, do not wash the vehicle for 24 hours.

1. Attach masking tape to the trunk lid in the area shown.



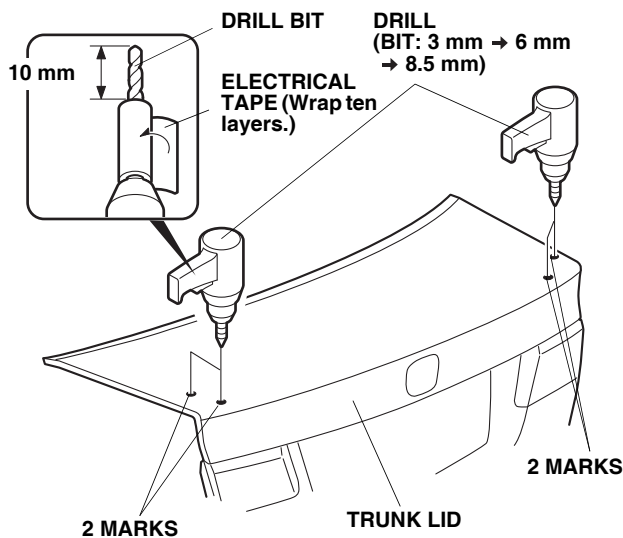
2. With the trunk lid closed, position the spoiler template tool on the left side of the trunk lid as shown.

3. Insert the pin of the template tool into each hole in the template tool and strike the pin firmly with a hammer to mark the trunk lid. Remove the template tool and center punch each mark.

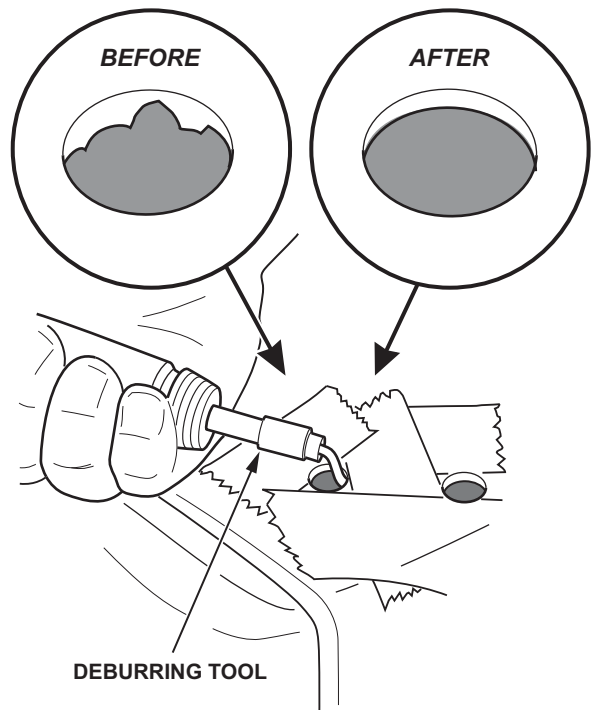


4. Turn the template over and repeat steps 1 through 3 to mark the right side of the trunk lid.

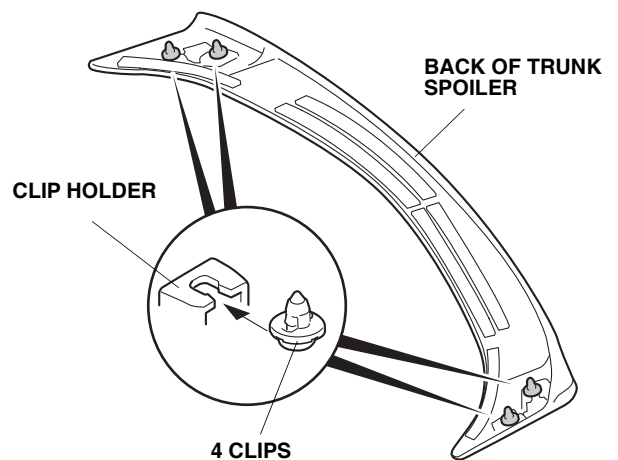
5. While wearing eye protection, drill the trunk lid at each center-punched mark.
  - Wrap each drill bit with ten layers of electrical tape 10 mm from the tip, or use a drill stop. Do not drill deeper than 10 mm, or you may damage the trunk lid.
  - Drill each center punched mark to 8.5 mm. First, drill with an 3 mm drill bit, then with a 6 mm drill bit, and finish with an 8.5 mm drill bit.



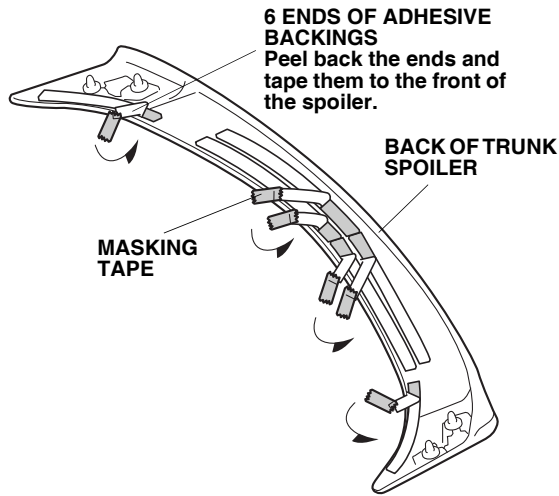
6. Insert the deburring tool with the black tip into each hole and roll in a circular motion, varying the angle as necessary to trim all burrs from the top and bottom of each hole.
  - Failure to deburr thoroughly will prevent clip engagement and cause the spoiler to lift.
  - Apply touch-up paint to the edges of each drilled hole. Allow the touch-up paint to dry before going to the next step.
  - Remove the masking tape.



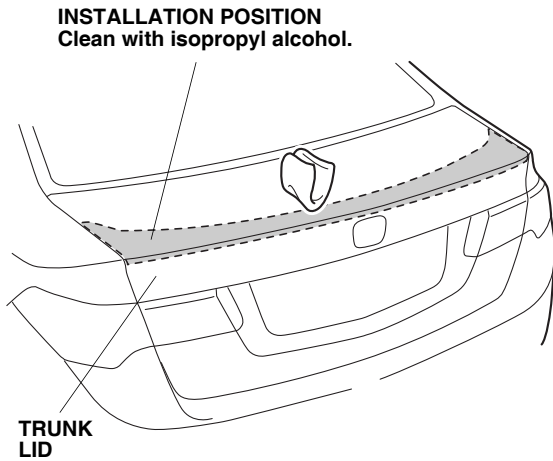
7. Insert the four clips onto the trunk spoiler in the positions shown.



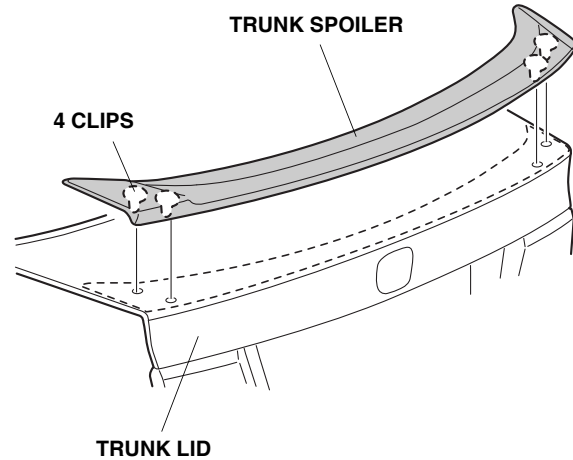
8. Peel back the six ends of the adhesive backings on the trunk spoiler and tape them to the front of the trunk spoiler.



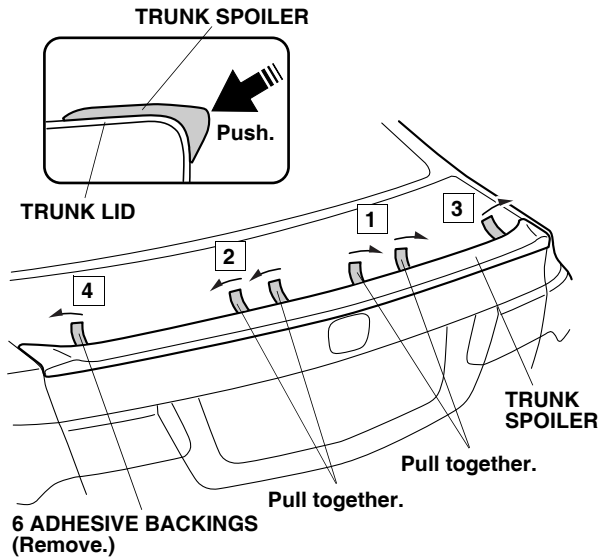
9. Using isopropyl alcohol on a shop towel, thoroughly clean the trunk surface where the trunk spoiler will attach.



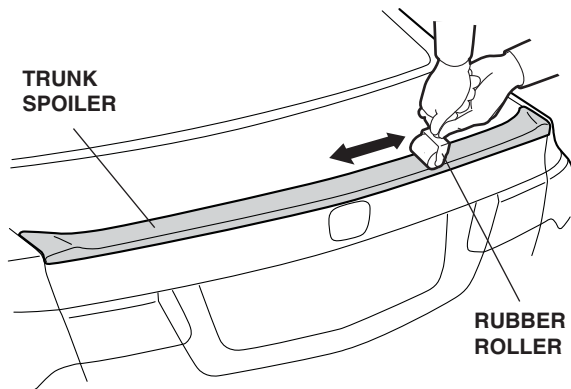
10. Set the trunk spoiler on the trunk lid, and insert the four clips into the holes in the trunk lid.  
**NOTE:** Make sure the trunk spoiler has equal spacing on the left and right edge of the dock lid.



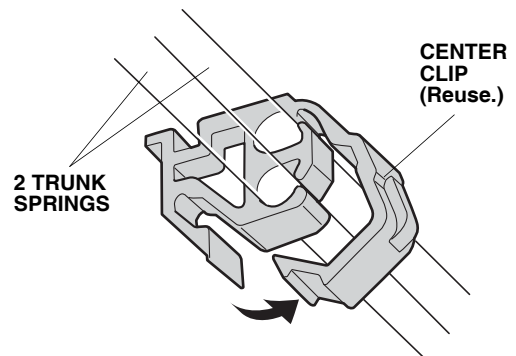
- Remove the six adhesive backings in the order shown. Press the trunk spoiler firmly against the trunk lid with the palm of your hand while removing the adhesive backings.



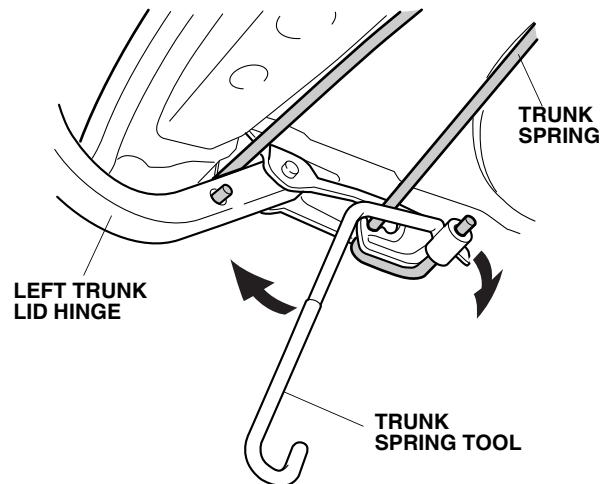
- Using the rubber roller, apply firm pressure while rolling to set the adhesive.



- Open the trunk lid, and remove the center clip from the trunk springs.



- With an assistant holding the trunk lid open, remove the right trunk spring from the trunk hinge arm using the trunk spring tool. Pull the trunk spring tool slowly and carefully toward you.  
NOTE: Wear heavy gloves to protect your hands while you are replacing the trunk spring.



15. Install the new right trunk spring in the reverse order of removal.
- Set the tool on the marked end of the right trunk spring.
  - Rotate the tool as you pull it toward you.
  - Set the springs in the first notch (original position) of the hinge brackets.
  - Reinstall the center clip.

